



Supacat MK IV ATMP

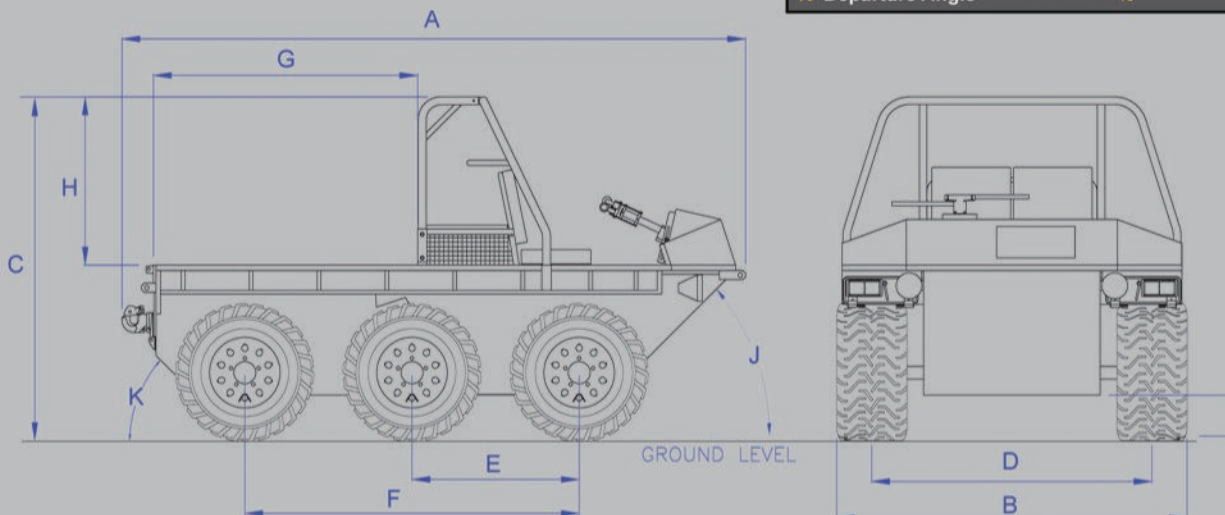
Named the “All Terrain Mobility Platform”, it offers supreme cross-country performance and is now a well-known workhorse used in a wide variety of roles worldwide.

The ATMP can carry a substantial payload for a vehicle of its size which, combined with its “go anywhere” ethos, has made it the vehicle of choice for many years. Already proven on a variety of military operations, the All Terrain Military Platform can be transported within and below a range of air platforms providing instant mobility support for airborne and air-mobile forces on the ground.

The ATMP has historically provided the platform for a wide variety of military and civilian role specific vehicles, including:

- Air crash recovery
- Life guard beach rescue
- Fire fighting
- Support vehicles for Thrust land speed record
- Various military applications around the world

A Length	3443 mm
B Width	1935 mm
C Height	1873 mm
D Track	1547 mm
E Wheelbase to Axle 2	923 mm
F Wheelbase to Axle 3	1846 mm
G Load Length	1460 mm
H Load Height	929 mm
I Ground Clearance	226 mm
J Approach Angle	45°
K Departure Angle	45°

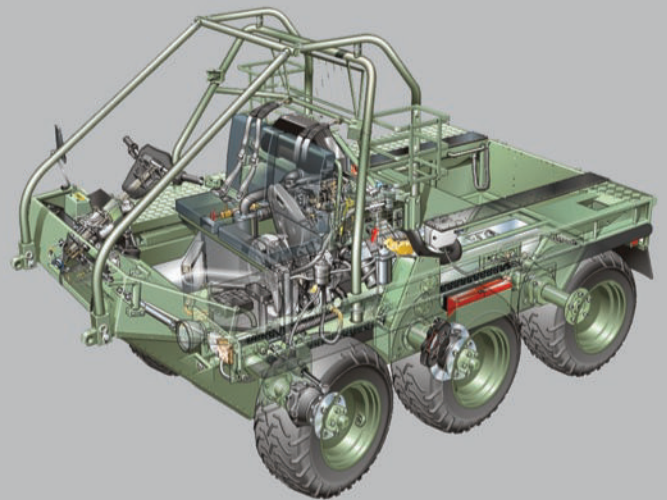


ATMP

ALL TERRAIN VEHICLE SOLUTIONS



Weight (GVW)	3450 kg
Payload	1600 kg
Kerb weight	1850 kg
Towing weight	2500 kg
Speed	64 km/h
Fuel capacity	65 Litres
Maximum road range	850 km
Fording	600 mm
Gradient	45°
Side slope	40°
Engine	1.9 Turbo Diesel
Transmission	Automatic Four speed. 1 reverse
Steering	Power assisted front four wheel steering. Skid steering
Brakes	Disc brakes on the front 2 axes
Tyres	31/15.5 R16
Electrical system	12 or 24v DC



Options

Cabbed, amphibious, personnel and electricity pole-carrying variants

